



- High CV Product
- Screw Terminals
- Suitable for use in most demanding applications requiring high current filtering or energy storage
- Custom Designs Available Upon Request

**GENERAL SPECIFICATIONS**

Operating Temperature:

- 40°C to +85°C

Voltage Range:

50 WVDC to 500 WVDC

Capacitance Range: 75µF to 320,000µF

Capacitance Tolerance:

-10% +75% (50-150 WVDC)

-10% +50% (200-450 WVDC)

DC Leakage Current:

I = .006 VCV after 5 minutes

Not to exceed 6mA

C = Capacitance in µf

V = Rated Voltage

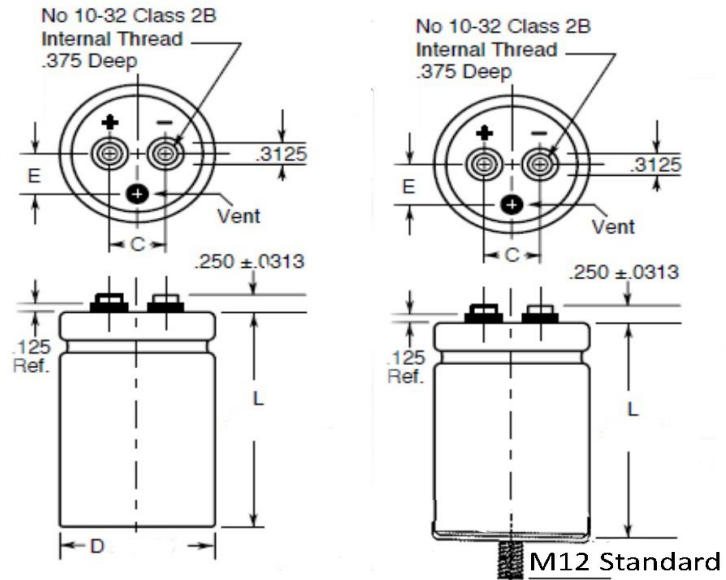
I = Leakage Current in mA

QA Stability Test:

Apply WVDC for 1,000 hours at 85°C

- Capacitance change ≤ 10% from initial limits
- DC leakage current meets initial limits
- ESR ≤ 175% of initial measured value

**High Post (H) (Standard)**



- \* Special Terminals are available upon request:  
 Low Post, Low Resistance Screw Mount (1/4 - 28 Thread)  
 High Post Metric Thread  
 Low Post Metric Thread  
 High Post, Low Resistance Screw Mount (1/4 - 28 Thread)

Add .015 inches to diameter and .045 inches to length for PVC insulating sleeve.

# Aluminum Electrolytic Capacitors N135 Series

NationCap

Rated Voltage (VDC)	Capacitance(μF)	Diameter (mm / Inches)	Height (mm / Inches)
<b>50VDC; 65VDC Surge</b>	1600	34.925 / 1.375	53.975 / 2.125
	2200	34.925 / 1.375	53.975 / 2.125
	2900	34.925 / 1.375	79.375 / 3.125
	3000	34.925 / 1.375	53.975 / 2.125
	3300	34.925 / 1.375	53.975 / 2.125
	4100	34.925 / 1.375	79.375 / 3.125
	4300	34.925 / 1.375	104.775 / 4.125
	4900	34.925 / 1.375	92.075 / 3.625
	5000	34.925 / 1.375	79.375 / 3.125
	5700	34.925 / 1.375	79.375 / 3.125
	6100	34.925 / 1.375	104.775 / 4.125
	6500	50.8 / 2.000	79.375 / 3.125
	6700	34.925 / 1.375	92.075 / 3.625
	6800	34.925 / 1.375	79.375 / 3.125
	7500	34.925 / 1.375	104.775 / 4.125
	8000	50.8 / 2.000	53.975 / 2.125
	9600	34.925 / 1.375	53.975 / 2.125
	9600	50.8 / 2.000	104.775 / 4.125
	10000	34.925 / 1.375	104.775 / 4.125
	10000	50.8 / 2.000	53.975 / 2.125
	12000	34.925 / 1.375	142.875 / 5.625
	13000	34.925 / 1.375	66.675 / 2.625
	13000	34.925 / 1.375	79.375 / 3.125
	13000	50.8 / 2.000	79.375 / 3.125
	14000	50.8 / 2.000	142.875 / 5.625
	14500	50.8 / 2.000	79.375 / 3.125
	15000	50.8 / 2.000	104.775 / 4.125
	17000	34.925 / 1.375	79.375 / 3.125
	18000	50.8 / 2.000	79.375 / 3.125
	20000	34.925 / 1.375	104.775 / 4.125
	20000	50.8 / 2.000	104.775 / 4.125
	20000	50.8 / 2.000	142.875 / 5.625
	24000	63.5 / 2.500	79.375 / 3.125
	25000	34.925 / 1.375	104.775 / 4.125
	25000	44.45 / 1.750	104.775 / 4.125
	25000	63.5 / 2.500	104.775 / 4.125
	27000	50.8 / 2.000	104.775 / 4.125
	28000	50.8 / 2.000	130.175 / 5.125
	30000	50.8 / 2.000	142.875 / 5.625
	31000	63.5 / 2.500	104.775 / 4.125
	33000	63.5 / 2.500	104.775 / 4.125
	35000	50.8 / 2.000	79.375 / 3.125
37000	34.925 / 1.375	142.875 / 5.625	
41000	76.2 / 3.000	117.475 / 4.625	
43000	76.2 / 3.000	130.175 / 5.125	
45000	44.45 / 1.750	104.775 / 4.125	
48000	76.2 / 3.000	104.775 / 4.125	
50000	63.5 / 2.500	142.875 / 5.625	
51000	76.2 / 3.000	149.225 / 5.875	
53000	50.8 / 2.000	104.775 / 4.125	
56000	76.2 / 3.000	92.075 / 3.625	
60000	76.2 / 3.000	130.175 / 5.125	
68000	76.2 / 3.000	104.775 / 4.125	
70000	76.2 / 3.000	142.875 / 5.625	
79000	50.8 / 2.000	142.875 / 5.625	
82000	76.2 / 3.000	104.775 / 4.125	
87000	63.5 / 2.500	104.775 / 4.125	
100000	76.2 / 3.000	219.075 / 8.625	
120000	76.2 / 3.000	142.875 / 5.625	
120000	76.2 / 3.000	142.875 / 5.625	
130000	63.5 / 2.500	142.875 / 5.625	
190000	76.2 / 3.000	142.875 / 5.625	
210000	76.2 / 3.000	149.225 / 5.875	
320000	76.2 / 3.000	219.075 / 8.625	
<b>63VDC; 75VDC Surge</b>	6100	34.925 / 1.375	53.975 / 2.125
	8900	34.925 / 1.375	66.675 / 2.625
	12000	34.925 / 1.375	79.375 / 3.125
	14000	34.925 / 1.375	104.775 / 4.125
	19000	50.8 / 2.000	79.375 / 3.125
	20000	34.925 / 1.375	142.875 / 5.625
	28000	44.45 / 1.750	104.775 / 4.125
	36000	50.8 / 2.000	104.775 / 4.125
	55000	50.8 / 2.000	142.875 / 5.625
	60000	63.5 / 2.500	104.775 / 4.125
	89000	63.5 / 2.500	142.875 / 5.625
	91000	63.5 / 2.500	142.875 / 5.625
	120000	76.2 / 3.000	130.175 / 5.125
	140000	76.2 / 3.000	142.875 / 5.625
	150000	76.2 / 3.000	149.225 / 5.875
210000	76.2 / 3.000	219.075 / 8.625	

Rated Voltage (VDC)	Capacitance(µF)	Diameter (mm / Inches)	Height (mm / Inches)
<b>75VDC; 95VDC Surge</b>	820	34.925 / 1.375	53.975 / 2.125
	1500	34.925 / 1.375	79.375 / 3.125
	2100	34.925 / 1.375	79.375 / 3.125
	2200	34.925 / 1.375	53.975 / 2.125
	2300	34.925 / 1.375	104.775 / 4.125
	2500	34.925 / 1.375	104.775 / 4.125
	2900	34.925 / 1.375	79.375 / 3.125
	3300	34.925 / 1.375	79.375 / 3.125
	4200	34.925 / 1.375	104.775 / 4.125
	4800	34.925 / 1.375	79.375 / 3.125
	4800	50.8 / 2.000	79.375 / 3.125
	5000	34.925 / 1.375	53.975 / 2.125
	5600	34.925 / 1.375	104.775 / 4.125
	6300	34.925 / 1.375	142.875 / 5.625
	7000	34.925 / 1.375	66.675 / 2.625
	7100	50.8 / 2.000	104.775 / 4.125
	7300	50.8 / 2.000	79.375 / 3.125
	7500	50.8 / 2.000	142.875 / 5.625
	9000	34.925 / 1.375	79.375 / 3.125
	10000	34.925 / 1.375	79.375 / 3.125
	10000	50.8 / 2.000	79.375 / 3.125
	10000	34.925 / 1.375	104.775 / 4.125
	12000	34.925 / 1.375	104.775 / 4.125
	12000	50.8 / 2.000	104.775 / 4.125
	13000	34.925 / 1.375	104.775 / 4.125
	15000	50.8 / 2.000	142.875 / 5.625
	17000	63.5 / 2.500	104.775 / 4.125
	17000	76.2 / 3.000	104.775 / 4.125
	18000	50.8 / 2.000	79.375 / 3.125
	18000	50.8 / 2.000	104.775 / 4.125
	19000	34.925 / 1.375	142.875 / 5.625
	23000	44.45 / 1.750	104.775 / 4.125
	25000	76.2 / 3.000	104.775 / 4.125
	25000	63.5 / 2.500	142.875 / 5.625
	25000	76.2 / 3.000	104.775 / 4.125
	26000	50.8 / 2.000	104.775 / 4.125
	26000	76.2 / 3.000	149.225 / 5.875
	27000	50.8 / 2.000	104.775 / 4.125
	27000	76.2 / 3.000	92.075 / 3.625
	33000	76.2 / 3.000	104.775 / 4.125
37000	50.8 / 2.000	142.875 / 5.625	
37000	76.2 / 3.000	142.875 / 5.625	
41000	50.8 / 2.000	142.875 / 5.625	
45000	63.5 / 2.500	104.775 / 4.125	
55000	76.2 / 3.000	219.075 / 8.625	
68000	63.5 / 2.500	142.875 / 5.625	
68000	76.2 / 3.000	142.875 / 5.625	
90000	76.2 / 3.000	130.175 / 5.125	
100000	76.2 / 3.000	142.875 / 5.625	
110000	76.2 / 3.000	149.225 / 5.875	
140000	76.2 / 3.000	219.075 / 8.625	
<b>100VDC; 125VDC Surge</b>	850	34.925 / 1.375	53.975 / 2.125
	1200	34.925 / 1.375	79.375 / 3.125
	1700	34.925 / 1.375	79.375 / 3.125
	2400	34.925 / 1.375	104.775 / 4.125
	3100	34.925 / 1.375	53.975 / 2.125
	3100	34.925 / 1.375	130.175 / 5.125
	4000	34.925 / 1.375	104.775 / 4.125
	4000	50.8 / 2.000	104.775 / 4.125
	4500	34.925 / 1.375	66.675 / 2.625
	5900	34.925 / 1.375	79.375 / 3.125
	6000	50.8 / 2.000	104.775 / 4.125
	8600	34.925 / 1.375	104.775 / 4.125
	9000	50.8 / 2.000	142.875 / 5.625
	10000	63.5 / 2.500	104.775 / 4.125
	12000	50.8 / 2.000	79.375 / 3.125
	13000	34.925 / 1.375	142.875 / 5.625
	15000	50.8 / 2.000	104.775 / 4.125
	15000	63.5 / 2.500	142.875 / 5.625
	15000	76.2 / 3.000	104.775 / 4.125
	16000	44.45 / 1.750	104.775 / 4.125
	18000	50.8 / 2.000	104.775 / 4.125
	28000	50.8 / 2.000	117.475 / 4.625
	30000	63.5 / 2.500	104.775 / 4.125
	33000	76.2 / 3.000	219.075 / 8.625
	39000	76.2 / 3.000	149.225 / 5.875
	45000	76.2 / 3.000	104.775 / 4.125
	46000	63.5 / 2.500	142.875 / 5.625
	60000	76.2 / 3.000	130.175 / 5.125
	68000	76.2 / 3.000	142.875 / 5.625
	74000	76.2 / 3.000	149.225 / 5.875
96000	76.2 / 3.000	219.075 / 8.625	

Rated Voltage (VDC)	Capacitance(μF)	Diameter (mm / Inches)	Height (mm / Inches)
<b>150VDC; 175VDC Surge</b>	400	34.925 / 1.375	53.975 / 2.125
	720	34.925 / 1.375	79.375 / 3.125
	950	34.925 / 1.375	79.375 / 3.125
	1100	34.925 / 1.375	53.975 / 2.125
	1100	34.925 / 1.375	104.775 / 4.125
	1600	34.925 / 1.375	66.675 / 2.625
	2100	34.925 / 1.375	79.375 / 3.125
	2400	50.8 / 2.000	79.375 / 3.125
	3100	34.925 / 1.375	104.775 / 4.125
	3300	50.8 / 2.000	130.175 / 5.125
	3500	50.8 / 2.000	142.875 / 5.625
	4400	50.8 / 2.000	79.375 / 3.125
	4700	34.925 / 1.375	142.875 / 5.625
	4800	63.5 / 2.500	117.475 / 4.625
	5300	44.45 / 1.750	104.775 / 4.125
	5700	76.2 / 3.000	104.775 / 4.125
	6200	63.5 / 2.500	142.875 / 5.625
	6700	50.8 / 2.000	104.775 / 4.125
	7700	76.2 / 3.000	130.175 / 5.125
	8700	76.2 / 3.000	149.225 / 5.875
	10000	50.8 / 2.000	142.875 / 5.625
	10000	76.2 / 3.000	130.175 / 5.125
	11000	63.5 / 2.500	104.775 / 4.125
	12000	50.8 / 2.000	142.875 / 5.625
	12000	76.2 / 3.000	142.875 / 5.625
	17000	63.5 / 2.500	142.875 / 5.625
	22000	76.2 / 3.000	130.175 / 5.125
	25000	76.2 / 3.000	142.875 / 5.625
	26000	76.2 / 3.000	149.225 / 5.875
	43000	76.2 / 3.000	219.075 / 8.625
<b>200VDC; 250VDC Surge</b>	590	34.925 / 1.375	79.375 / 3.125
	800	34.925 / 1.375	53.975 / 2.125
	1000	34.925 / 1.375	104.775 / 4.125
	1000	50.8 / 2.000	53.975 / 2.125
	1200	34.925 / 1.375	66.675 / 2.625
	1400	50.8 / 2.000	79.375 / 3.125
	1500	34.925 / 1.375	79.375 / 3.125
	1600	50.8 / 2.000	79.375 / 3.125
	2000	50.8 / 2.000	104.775 / 4.125
	2200	34.925 / 1.375	104.775 / 4.125
	2200	50.8 / 2.000	104.775 / 4.125
	2700	50.8 / 2.000	104.775 / 4.125
	3100	50.8 / 2.000	79.375 / 3.125
	3300	34.925 / 1.375	142.875 / 5.625
	3300	63.5 / 2.500	104.775 / 4.125
	3400	63.5 / 2.500	104.775 / 4.125
	3600	50.8 / 2.000	104.775 / 4.125
	4000	44.45 / 1.750	104.775 / 4.125
	4000	50.8 / 2.000	79.375 / 3.125
	4000	63.5 / 2.500	104.775 / 4.125
	4600	76.2 / 3.000	104.775 / 4.125
	4700	50.8 / 2.000	142.875 / 5.625
	4800	50.8 / 2.000	104.775 / 4.125
	5000	63.5 / 2.500	130.175 / 5.125
	5200	50.8 / 2.000	142.875 / 5.625
	5400	76.2 / 3.000	117.475 / 4.625
	5500	76.2 / 3.000	104.775 / 4.125
	6200	76.2 / 3.000	104.775 / 4.125
	7200	50.8 / 2.000	142.875 / 5.625
	7400	76.2 / 3.000	142.875 / 5.625
7700	76.2 / 3.000	142.875 / 5.625	
7800	63.5 / 2.500	104.775 / 4.125	
9400	76.2 / 3.000	104.775 / 4.125	
12000	63.5 / 2.500	142.875 / 5.625	
14000	76.2 / 3.000	142.875 / 5.625	
16000	76.2 / 3.000	130.175 / 5.125	
18000	76.2 / 3.000	142.875 / 5.625	
18000	76.2 / 3.000	142.875 / 5.625	
19000	76.2 / 3.000	149.225 / 5.875	
25000	76.2 / 3.000	219.075 / 8.625	
30000	76.2 / 3.000	219.075 / 8.625	

Rated Voltage (VDC)	Capacitance(μF)	Diameter (mm / Inches)	Height (mm / Inches)
<b>250VDC; 300VDC Surge</b>	200	34.925 / 1.375	53.975 / 2.125
	250	34.925 / 1.375	53.975 / 2.125
	470	34.925 / 1.375	79.375 / 3.125
	550	34.925 / 1.375	104.775 / 4.125
	620	34.925 / 1.375	104.775 / 4.125
	720	50.8 / 2.000	79.375 / 3.125
	900	76.2 / 3.000	104.775 / 4.125
	1000	76.2 / 3.000	142.875 / 5.625
	1200	34.925 / 1.375	79.375 / 3.125
	1200	50.8 / 2.000	79.375 / 3.125
	1700	34.925 / 1.375	104.775 / 4.125
	1700	50.8 / 2.000	66.675 / 2.625
	1700	50.8 / 2.000	104.775 / 4.125
	1900	50.8 / 2.000	142.875 / 5.625
	1900	63.5 / 2.500	104.775 / 4.125
	2500	50.8 / 2.000	142.875 / 5.625
	2600	34.925 / 1.375	142.875 / 5.625
	2800	50.8 / 2.000	104.775 / 4.125
	2900	50.8 / 2.000	92.075 / 3.625
	2900	63.5 / 2.500	117.475 / 4.625
	2900	76.2 / 3.000	104.775 / 4.125
	3100	76.2 / 3.000	104.775 / 4.125
	3700	50.8 / 2.000	104.775 / 4.125
	4100	50.8 / 2.000	117.475 / 4.625
	4100	50.8 / 2.000	142.875 / 5.625
	4200	63.5 / 2.500	142.875 / 5.625
	5600	50.8 / 2.000	142.875 / 5.625
	6000	50.8 / 2.000	142.875 / 5.625
	6000	63.5 / 2.500	104.775 / 4.125
	6000	76.2 / 3.000	142.875 / 5.625
	7200	76.2 / 3.000	104.775 / 4.125
	7400	76.2 / 3.000	92.075 / 3.625
	9000	63.5 / 2.500	142.875 / 5.625
9200	63.5 / 2.500	142.875 / 5.625	
10000	76.2 / 3.000	117.475 / 4.625	
10000	76.2 / 3.000	142.875 / 5.625	
12000	76.2 / 3.000	130.175 / 5.125	
13000	76.2 / 3.000	142.875 / 5.625	
14000	76.2 / 3.000	142.875 / 5.625	
15000	76.2 / 3.000	149.225 / 5.875	
19000	76.2 / 3.000	219.075 / 8.625	
22000	76.2 / 3.000	219.075 / 8.625	
<b>300VDC; 350VDC Surge</b>	430	34.925 / 1.375	53.975 / 2.125
	620	34.925 / 1.375	66.675 / 2.625
	810	34.925 / 1.375	79.375 / 3.125
	1200	34.925 / 1.375	79.375 / 3.125
	1500	63.5 / 2.500	104.775 / 4.125
	1600	50.8 / 2.000	79.375 / 3.125
	1800	34.925 / 1.375	142.875 / 5.625
	2000	44.45 / 1.750	104.775 / 4.125
	2500	50.8 / 2.000	104.775 / 4.125
	3500	76.2 / 3.000	142.875 / 5.625
	3800	50.8 / 2.000	142.875 / 5.625
	4000	76.2 / 3.000	142.875 / 5.625
	4100	76.2 / 3.000	149.225 / 5.875
	4500	76.2 / 3.000	142.875 / 5.625
	5800	63.5 / 2.500	130.175 / 5.125
	6000	76.2 / 3.000	219.075 / 8.625
	6200	76.2 / 3.000	104.775 / 4.125
	6300	63.5 / 2.500	142.875 / 5.625
	8300	76.2 / 3.000	130.175 / 5.125
	9400	76.2 / 3.000	142.875 / 5.625
10000	76.2 / 3.000	149.225 / 5.875	
15000	76.2 / 3.000	219.075 / 8.625	

<b>Rated Voltage (VDC)</b>	<b>Capacitance(μF)</b>	<b>Diameter (mm / Inches)</b>	<b>Height (mm / Inches)</b>
<b>350VDC; 400VDC Surge</b>	130	34.925 / 1.375	53.975 / 2.125
	250	34.925 / 1.375	79.375 / 3.125
	330	34.925 / 1.375	79.375 / 3.125
	380	34.925 / 1.375	104.775 / 4.125
	480	34.925 / 1.375	66.675 / 2.625
	620	34.925 / 1.375	79.375 / 3.125
	650	50.8 / 2.000	79.375 / 3.125
	800	50.8 / 2.000	104.775 / 4.125
	920	34.925 / 1.375	104.775 / 4.125
	1000	34.925 / 1.375	104.775 / 4.125
	1000	50.8 / 2.000	66.675 / 2.625
	1000	50.8 / 2.000	104.775 / 4.125
	1300	50.8 / 2.000	79.375 / 3.125
	1300	76.2 / 3.000	104.775 / 4.125
	1400	34.925 / 1.375	142.875 / 5.625
	1500	44.45 / 1.750	104.775 / 4.125
	1500	63.5 / 2.500	104.775 / 4.125
	1600	50.8 / 2.000	104.775 / 4.125
	1900	50.8 / 2.000	104.775 / 4.125
	2100	63.5 / 2.500	142.875 / 5.625
	2100	76.2 / 3.000	104.775 / 4.125
	2200	63.5 / 2.500	142.875 / 5.625
	2400	50.8 / 2.000	117.475 / 4.625
	2400	50.8 / 2.000	142.875 / 5.625
	2600	76.2 / 3.000	142.875 / 5.625
	2700	63.5 / 2.500	92.075 / 3.625
	2900	76.2 / 3.000	142.875 / 5.625
	3000	76.2 / 3.000	149.225 / 5.875
	3200	63.5 / 2.500	104.775 / 4.125
	3300	50.8 / 2.000	142.875 / 5.625
	3300	76.2 / 3.000	142.875 / 5.625
	3400	76.2 / 3.000	142.875 / 5.625
	3700	76.2 / 3.000	142.875 / 5.625
	3800	63.5 / 2.500	117.475 / 4.625
4000	76.2 / 3.000	79.375 / 3.125	
4200	76.2 / 3.000	104.775 / 4.125	
4800	63.5 / 2.500	142.875 / 5.625	
6100	76.2 / 3.000	219.075 / 8.625	
6300	76.2 / 3.000	142.875 / 5.625	
6400	76.2 / 3.000	130.175 / 5.125	
6900	76.2 / 3.000	219.075 / 8.625	
7200	76.2 / 3.000	142.875 / 5.625	
7300	76.2 / 3.000	142.875 / 5.625	
7900	76.2 / 3.000	149.225 / 5.875	
8500	76.2 / 3.000	219.075 / 8.625	
10000	76.2 / 3.000	219.075 / 8.625	
12000	76.2 / 3.000	219.075 / 8.625	
<b>400VDC; 450VDC Surge</b>	290	34.925 / 1.375	53.975 / 2.125
	420	34.925 / 1.375	66.675 / 2.625
	550	34.925 / 1.375	79.375 / 3.125
	780	50.8 / 2.000	104.775 / 4.125
	810	34.925 / 1.375	104.775 / 4.125
	1100	50.8 / 2.000	79.375 / 3.125
	1200	34.925 / 1.375	142.875 / 5.625
	1300	44.45 / 1.750	104.775 / 4.125
	1700	50.8 / 2.000	104.775 / 4.125
	2600	50.8 / 2.000	142.875 / 5.625
	2700	63.5 / 2.500	104.775 / 4.125
	2800	63.5 / 2.500	104.775 / 4.125
	4200	63.5 / 2.500	142.875 / 5.625
	4300	63.5 / 2.500	142.875 / 5.625
	5700	76.2 / 3.000	130.175 / 5.125
	6400	76.2 / 3.000	142.875 / 5.625
7000	76.2 / 3.000	149.225 / 5.875	
8500	76.2 / 3.000	171.45 / 6.750	
11000	76.2 / 3.000	219.075 / 8.625	

Rated Voltage (VDC)	Capacitance(μF)	Diameter (mm / Inches)	Height (mm / Inches)
<b>450VDC; 525VDC Surge</b>	75	34.925 / 1.375	53.975 / 2.125
	100	34.925 / 1.375	53.975 / 2.125
	140	34.925 / 1.375	79.375 / 3.125
	170	34.925 / 1.375	79.375 / 3.125
	210	34.925 / 1.375	104.775 / 4.125
	240	34.925 / 1.375	53.975 / 2.125
	250	34.925 / 1.375	104.775 / 4.125
	320	50.8 / 2.000	79.375 / 3.125
	350	34.925 / 1.375	66.675 / 2.625
	350	34.925 / 1.375	130.175 / 5.125
	400	34.925 / 1.375	142.875 / 5.625
	450	50.8 / 2.000	79.375 / 3.125
	460	34.925 / 1.375	79.375 / 3.125
	480	50.8 / 2.000	104.775 / 4.125
	620	50.8 / 2.000	66.675 / 2.625
	650	50.8 / 2.000	104.775 / 4.125
	680	34.925 / 1.375	104.775 / 4.125
	800	50.8 / 2.000	117.475 / 4.625
	930	50.8 / 2.000	79.375 / 3.125
	970	50.8 / 2.000	104.775 / 4.125
	1000	63.5 / 2.500	104.775 / 4.125
	1000	34.925 / 1.375	117.475 / 4.625
	1000	50.8 / 2.000	92.075 / 3.625
	1000	63.5 / 2.500	104.775 / 4.125
	1100	44.45 / 1.750	104.775 / 4.125
	1100	76.2 / 3.000	104.775 / 4.125
	1400	50.8 / 2.000	104.775 / 4.125
	1400	50.8 / 2.000	117.475 / 4.625
	1400	50.8 / 2.000	142.875 / 5.625
	1400	63.5 / 2.500	104.775 / 4.125
	1400	63.5 / 2.500	130.175 / 5.125
	1500	76.2 / 3.000	104.775 / 4.125
	1500	76.2 / 3.000	130.175 / 5.125
	1700	63.5 / 2.500	92.075 / 3.625
	1800	50.8 / 2.000	142.875 / 5.625
	1800	76.2 / 3.000	149.225 / 5.875
	1900	76.2 / 3.000	142.875 / 5.625
	2000	76.2 / 3.000	130.175 / 5.125
	2000	76.2 / 3.000	142.875 / 5.625
	2200	50.8 / 2.000	142.875 / 5.625
	2200	76.2 / 3.000	104.775 / 4.125
	2300	76.2 / 3.000	92.075 / 3.625
	2300	63.5 / 2.500	104.775 / 4.125
	2400	63.5 / 2.500	104.775 / 4.125
	2400	63.5 / 2.500	117.475 / 4.625
2400	76.2 / 3.000	142.875 / 5.625	
2500	76.2 / 3.000	92.075 / 3.625	
2700	63.5 / 2.500	104.775 / 4.125	
3100	63.5 / 2.500	142.875 / 5.625	
3300	76.2 / 3.000	142.875 / 5.625	
3500	63.5 / 2.500	142.875 / 5.625	
3600	63.5 / 2.500	142.875 / 5.625	
3600	76.2 / 3.000	117.475 / 4.625	
4600	76.2 / 3.000	142.875 / 5.625	
4700	76.2 / 3.000	130.175 / 5.125	
5300	76.2 / 3.000	142.875 / 5.625	
5800	76.2 / 3.000	149.225 / 5.875	
7700	76.2 / 3.000	219.075 / 8.625	
9000	76.2 / 3.000	219.075 / 8.625	
<b>500VDC; 535VDC Surge</b>	160	34.925 / 1.375	53.975 / 2.125
	240	34.925 / 1.375	66.675 / 2.625
	240	44.45 / 1.750	53.975 / 2.125
	310	34.925 / 1.375	79.375 / 3.125
	310	50.8 / 2.000	53.975 / 2.125
	360	44.45 / 1.750	66.675 / 2.625
	380	34.925 / 1.375	92.075 / 3.625
	450	34.925 / 1.375	104.775 / 4.125
	460	50.8 / 2.000	66.675 / 2.625
	230	34.925 / 1.375	117.475 / 4.625
	600	34.925 / 1.375	130.175 / 5.125
	620	44.45 / 1.750	92.075 / 3.625
	620	50.8 / 2.000	79.375 / 3.125
	670	50.8 / 2.000	79.375 / 3.125
	750	34.925 / 1.375	142.875 / 5.625
	790	50.8 / 2.000	92.075 / 3.625
	880	44.45 / 1.750	117.475 / 4.625
	950	50.8 / 2.000	104.775 / 4.125
	1000	44.45 / 1.750	130.175 / 5.125
	1000	63.5 / 2.500	79.375 / 3.125
1100	44.45 / 1.750	142.875 / 5.625	

<b>1100</b>	<b>50.8 / 2.000</b>	<b>117.475 / 4.625</b>
<b>1300</b>	<b>50.8 / 2.000</b>	<b>130.175 / 5.125</b>
<b>1300</b>	<b>63.5 / 2.500</b>	<b>92.075 / 3.625</b>
<b>1500</b>	<b>50.8 / 2.000</b>	<b>142.875 / 5.625</b>
<b>1600</b>	<b>63.5 / 2.500</b>	<b>104.775 / 4.125</b>
<b>1800</b>	<b>63.5 / 2.500</b>	<b>117.475 / 4.625</b>
<b>1900</b>	<b>76.2 / 3.000</b>	<b>92.075 / 3.625</b>
<b>2100</b>	<b>63.5 / 2.500</b>	<b>130.175 / 5.125</b>
<b>2300</b>	<b>76.2 / 3.000</b>	<b>104.775 / 4.125</b>
<b>2400</b>	<b>63.5 / 2.500</b>	<b>142.875 / 5.625</b>
<b>2700</b>	<b>88.9 / 3.500</b>	<b>92.075 / 3.625</b>
<b>2800</b>	<b>76.2 / 3.000</b>	<b>117.475 / 4.625</b>
<b>3200</b>	<b>76.2 / 3.000</b>	<b>130.175 / 5.125</b>
<b>3300</b>	<b>88.9 / 3.500</b>	<b>104.775 / 4.125</b>
<b>3500</b>	<b>76.2 / 3.000</b>	<b>142.875 / 5.625</b>
<b>4400</b>	<b>88.9 / 3.500</b>	<b>130.175 / 5.125</b>
<b>4800</b>	<b>88.9 / 3.500</b>	<b>142.875 / 5.625</b>
<b>6000</b>	<b>76.2 / 3.000</b>	<b>219.075 / 8.625</b>
<b>8300</b>	<b>88.9 / 3.500</b>	<b>219.075 / 8.625</b>